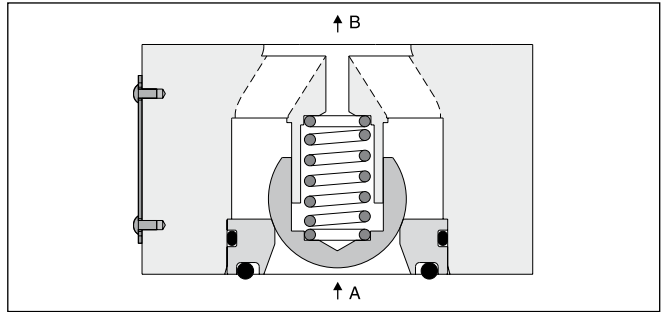
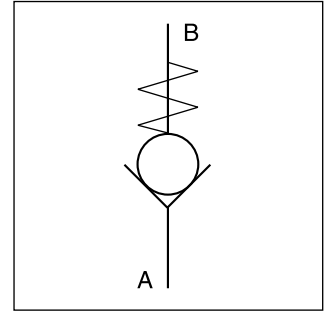


Characteristics / Ordering Code

Direct operated check valves series C5V provide free flow in one direction and block the flow in the counter direction. The SAE flanges allow to mount the C5V directly on the pressure port of pumps for protection against pressure shocks from the system.

Features

- Direct operated check valve
- SAE61 and SAE62 flange
- 4 sizes (SAE ¾", 1", 1¼", 1½")
- 3 springs
- 5 options for body sealing



Ordering Code

C5V — [] — [] — [] — [] — **B** — [] — []

Direct operated check valve Nominal size Flange Body sealing Cracking pressure Design series Seals Options

Code	Port size
06	SAE ¾"
08	SAE 1"
10	SAE 1¼"
12	SAE 1½"

Code	Flange
3	SAE61
6	SAE62

Code	Body sealing
1	Sealing for port A
2	Sealing for port A and X
3	Without sealing
4	Sealing for port B
5	Sealing for port A and B

Code	Cracking pressure
0	0.5 bar
1	1.0 bar
2	2.0 bar

Code	Options
omit	Standard
019 ¹⁾	M14 mounting screws

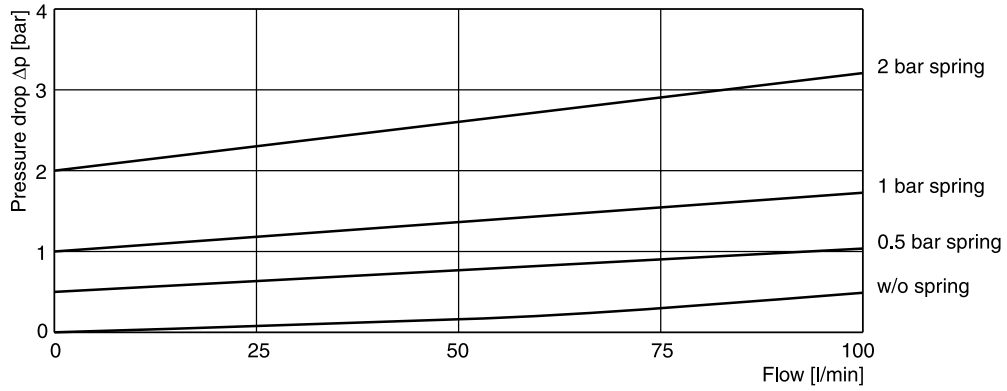
Code	Seals
1	NBR
5	FPM

¹⁾ Only for C5V10-6 (SAE62)

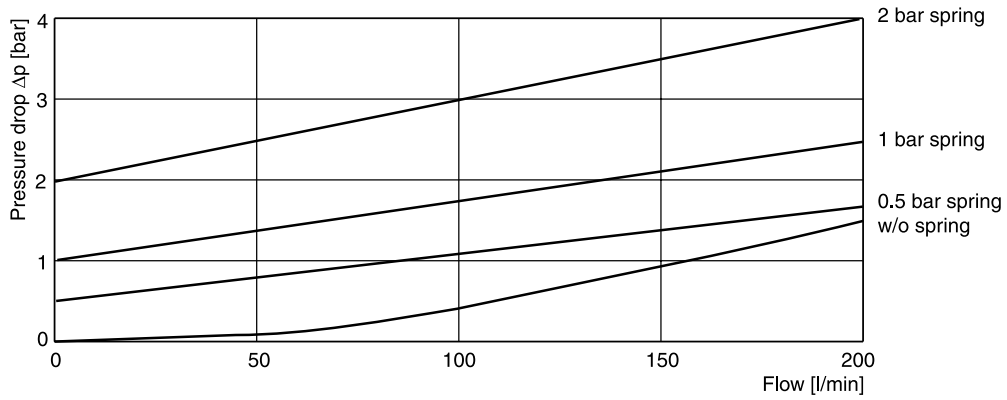
Technical Data

General				06 (¾")	08 (1")	10 (1¼")	12 (1½")
Size							
Mounting	2-port inline flange (SAE61 and 62)						
Mounting position	unrestricted						
Ambient temperature		[°C]	-20...+60				
MTTF _D value		[years]	150				
Weight		[kg]	0.6	0.9	1.3	1.8	
Hydraulic							
Max. operating pressure	SAE61	[bar]	350	350	280	210	
	SAE62	[bar]	420	420	420	420	
Nominal flow		[l/min]	100	200	400	750	
Fluid	Hydraulic oil according to DIN 51524						
Fluid temperature		[°C]	-20...+70 (NBR: -25...+70)				
Viscosity	permitted	[cSt] / [mm ² /s]	20...400				
	recommended	[cSt] / [mm ² /s]	30...80				
Filtration	ISO 4406 (1999); 18/16/13						

C5V06



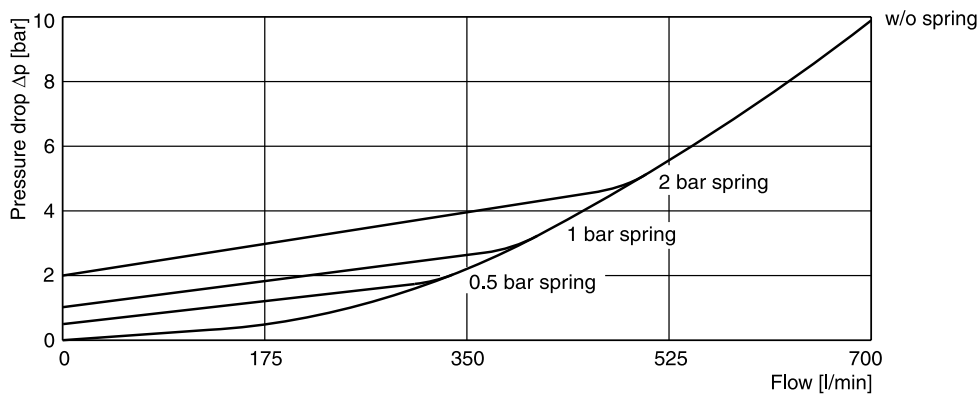
C5V08



C5V10



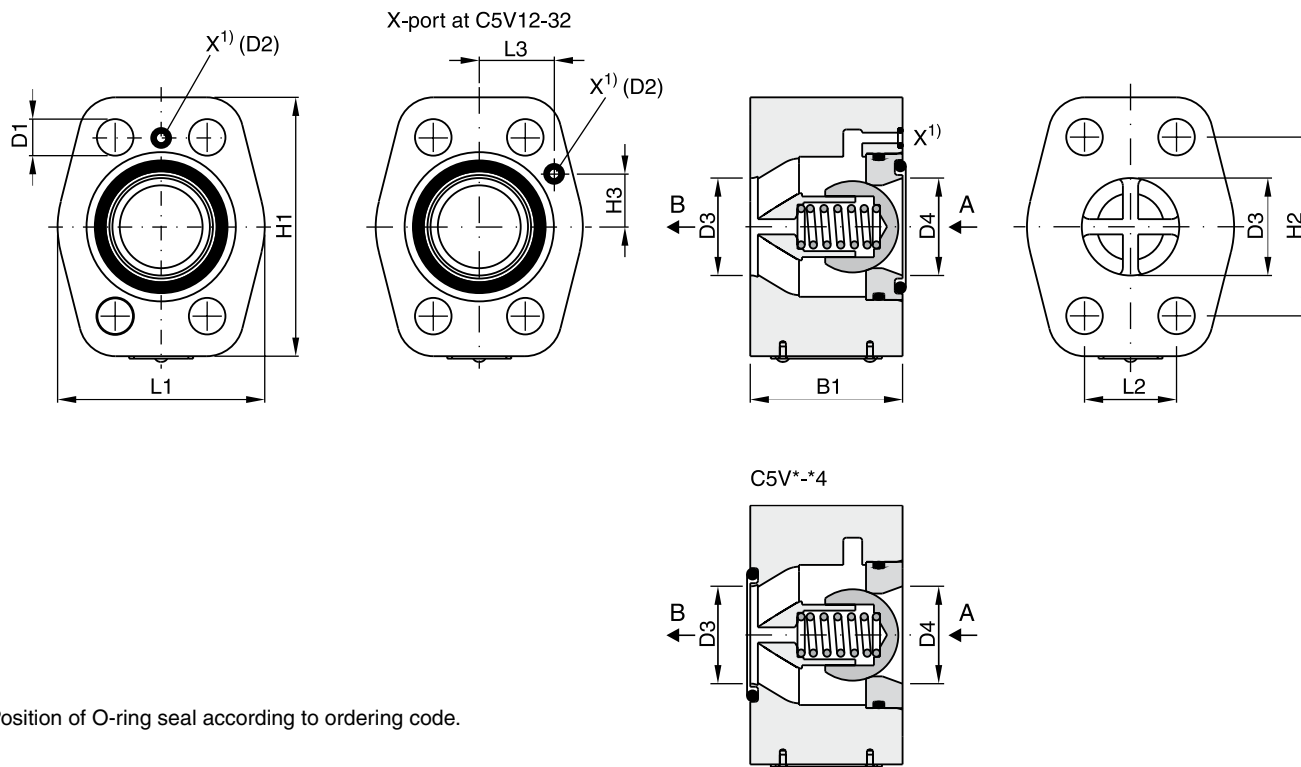
C5V12



All characteristic curves measured with HLP46 at 50 °C.

9

Dimensions



Position of O-ring seal according to ordering code.

Seal kits		
NG	NBR	FPM
06	S26-75409-0	S26-75409-5
08	S26-75410-0	S26-75410-5
10	S26-75411-0	S26-75411-5
12	S26-75412-0	S26-75412-5

Series	Nominal Size		L1	L2	L3	H1	H2	H3	B1	D1	D2	D3 + 0.8	D4
C5V06	3/4"	SAE61	48	22.2	–	64	47.6	–	45	10.5	Ø3	19	19
		SAE62	48	23.8	–	64	50.8	–	45	10.5	–	19	19
C5V08	1"	SAE61	60	26.2	–	74	52.4	–	45	10.5	Ø3	25	25
		SAE62	60	27.8	–	74	57.2	–	45	12.5	–	25	25
C5V10	1 1/4"	SAE61	68	30.2	–	85	58.7	–	50	12.5	Ø3	32	32
		SAE62	68	31.8	–	85	66.7	–	50	13.5 ²⁾	–	32	32
C5V12	1 1/2"	SAE61	80	35.7	27.2	104	69.8	22.4	50	13.5	Ø3	42	38
		SAE62	80	36.5	27.2	104	79.4	22.4	50	17	–	42	38

¹⁾ X1 port for C5V*32* (for use with unloading valve R5U).

²⁾ D1 = 15 at option code 019 for M14 mounting screws.