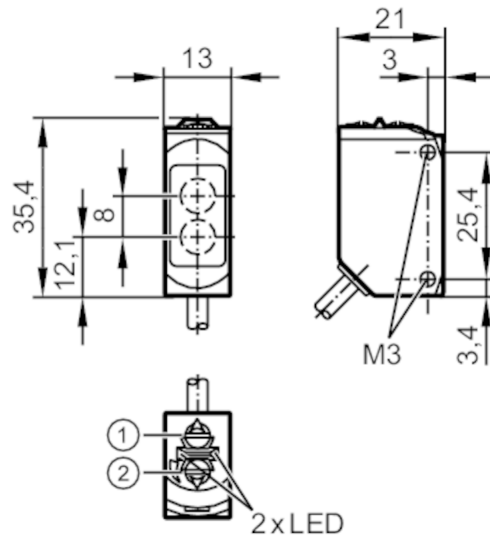


O6P201



Retro-reflective sensor

O6P-FPKG/0,30m/US



- 1: output function switch
 2: potentiometer sensitivity
 Receiver in upper lens
 transmitter in lower lens



Product characteristics

Type of light	red light
Housing	rectangular

Application

System	polarization filter
Function principle	Retro-reflective sensor

Electrical data

Operating voltage	[V]	10...30 DC
Current consumption	[mA]	12; ((24 V))
Protection class		III
Reverse polarity protection		yes
Type of light		red light
Wave length	[nm]	633

Outputs


Electrical design		PNP
Output function		light-on/dark-on mode; (selectable)
Max. voltage drop switching output DC	[V]	2.5
Permanent current rating of switching output DC	[mA]	100
Switching frequency DC	[Hz]	1000
Short-circuit protection		yes
Type of short-circuit protection		yes (non-latching)

O6P201



Retro-reflective sensor

O6P-FPKG/0,30m/US

Monitoring range		
Range referred to prismatic reflector [m]	0.05...5; (Prismatic reflector Ø 80 E20005)	
Range adjustable	yes	
Max. light spot diameter [mm]	150	
Light spot dimensions refer to	at maximum range	
Polarization filter available	yes	
Operating conditions		
Ambient temperature [°C]	-25...60	
Storage temperature [°C]	-40...70	
Max. relative air humidity [%]	50; (70° C)	
Protection	IP 65; IP 67	
Tests / approvals		
EMC	EN 60947-5-2	
MTTF [years]	895	
UL approval	UL approval number	E012
Mechanical data		
Weight [g]	33.2	
Housing	rectangular	
Dimensions [mm]	35.4 x 13 x 21	
Material	housing: ABS; PPSU; sealing: EPDM	
Lens material	PMMA	
Lens alignment	Side sensing	
Tightening torque [Nm]	0.5	
Displays / operating elements		
Display	Switching status	1 x LED, yellow
	Power	1 x LED, green
Remarks		
Remarks	cULus - Class 2 source required	
Pack quantity	1 pcs.	
Electrical connection		
Cable: 0.3 m, PUR; 3 x 0.25 mm ²		
Connector: 1 x M12; coding: A		
		

O6P201



Retro-reflective sensor

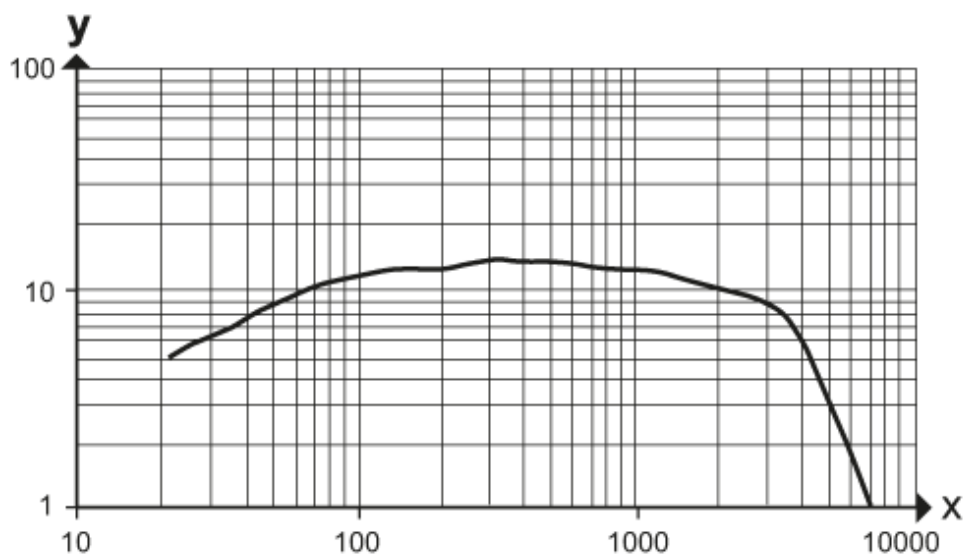
O6P-FPKG/0,30m/US

Connection



Diagrams and graphs

excess gain graph



x: distance [mm]

y: excess gain factor