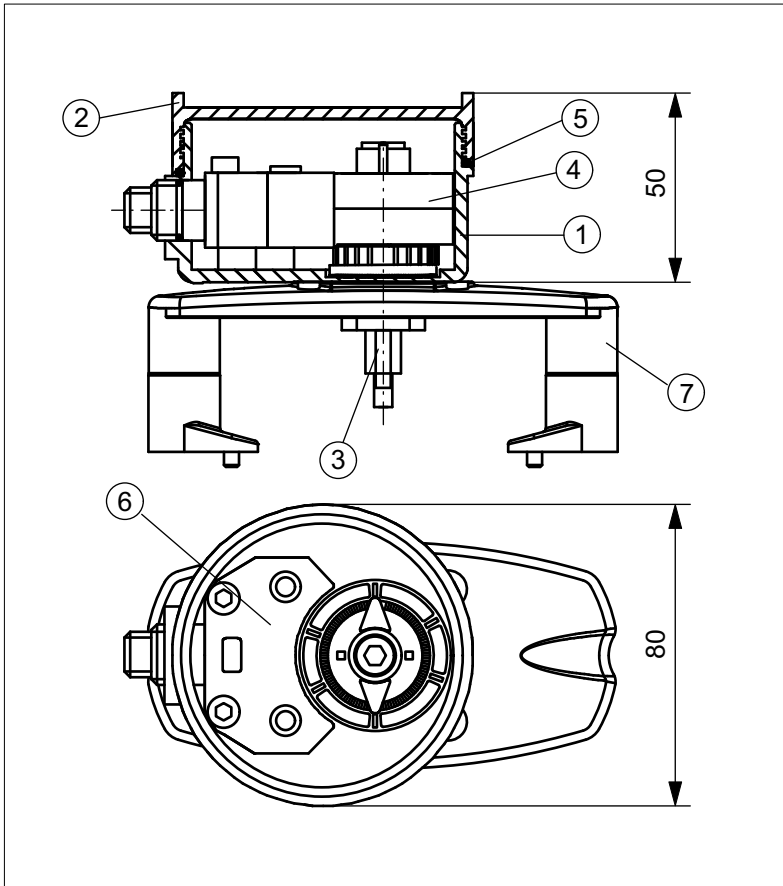




PPFF25ESVVAZ

PB-Module with one double sensor Pepperl+Fuchs NBN3-F25F-E8-V1
in Vestamid-Housing ø80mm, height 50mm



TECHNICAL DATA

Manufacturer: Pepperl+Fuchs
Type: NBN3-F25F-E8-V1
Double sensor, PNP
Normally open contact

Operating voltage: 10 ... 30 V DC
Operating current: 0 ... 200 mA
Output: short-circuit protection
inverse-polarity protection

Switch. frequency: 0 ... 500 Hz
Temperature: -25 ... +70°C
Ingress protection: IP 67 (Sensor)
IP 65 (Housing)

Switch. precision: < 1,5°
Housing: Vestamid, black
Sealing: EPDM
System connect.: Connector M12x1

OBJECT LIST

Pos.	Pcs.	Description	Material
1	1	Housing base	Vestamid
2	1	Housing cover	Vestamid
3	1	TCR-Axis	PE
4	1	Switch cam system	POM
5	1	O-Ring Sealing	EPDM
6	1	Double sensor	-
7	1	Bracket size 1 - 4	A2 or PA

WIRING DIAGRAM

