

NOTICE
 THIS DRAWING IS THE PROPERTY OF QUALITROL CORPORATION AND IS LOANED ONLY ON THE CONDITION THAT IT WILL BE USED TO FACILITATE THE PURPOSE FOR WHICH INTENDED AND NOT BE REPRODUCED, COPIED OR OTHERWISE DISPOSED OF, AND IS NOT TO BE USED IN WHOLE OR PART FOR FURNISHING INFORMATION RELATIVE TO THE MAKING OF DRAWINGS, PARTS APPARATUS OR PARTS THEREOF, EXCEPT BY WRITTEN ORDER FROM QUALITROL CORPORATION.

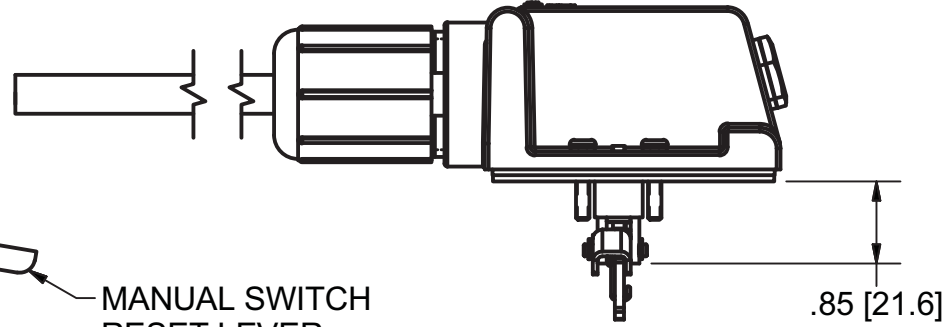
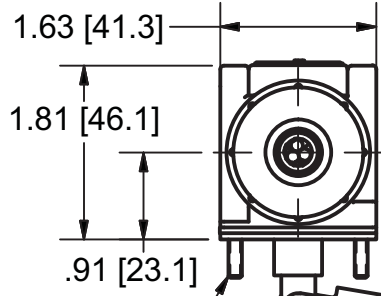
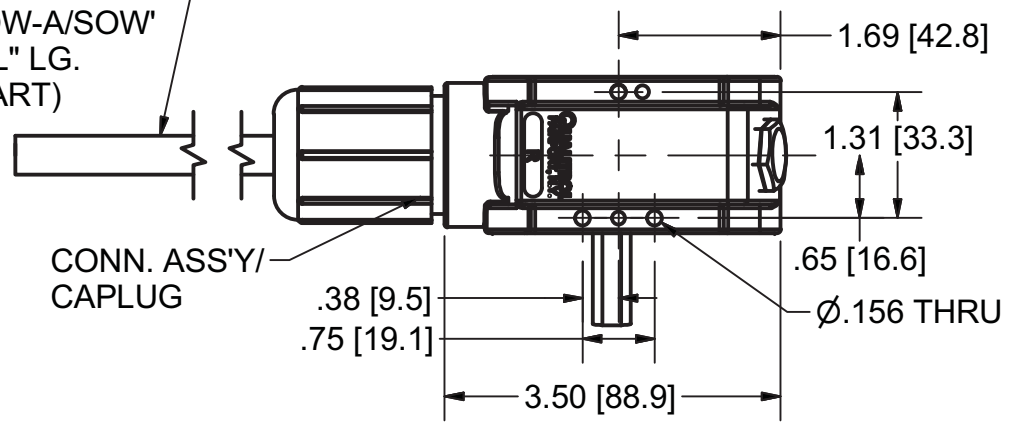
MODEL NO. **SWT-648**

NOTE:
 1.) UNIT PASSES HI-POT TEST;
 2000 VOLTS BETWEEN CONNECTOR
 TERMINALS AND GROUND FOR 60 SECONDS.

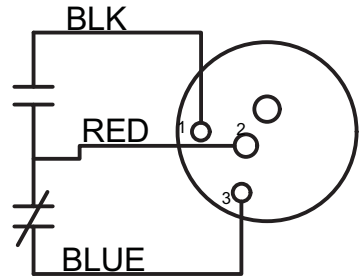
SWITCH OPERATION:
 -WHEN ALARM SWITCH IS MOUNTED ON PRESSURE RELIEF DEVICE, RED AND BLUE ARE CLOSED.
 -SHOULD THE MECHANICAL RELIEF DEVICE BE CALLED UPON TO OPERATE; RED OPENS ON BLUE AND CLOSES ON BLACK.
 -RED AND BLUE WILL REMAIN OPEN UNTIL SWITCH RESET LEVER IS MANUALLY DEPRESSED.

SWITCH RATINGS:
 ENEC/CQC: 11(3) A, 125/250 VAC
 UL/cUL: 11(3)A, 125/250 VAC
 UL FILE#: E12252

#16 GA. 3 COND.
 TYPE 'SOW-A/SOW'
 CABLE, "L" LG.
 (SEE CHART)



(3) MOUNTING SCREWS
 MANUAL SWITCH RESET LEVER
 ACTUATOR



DEV-WIR-3A01
 SHOWN IN NON-ALARM
 STATE

34603	5-4-17	SWT-648-4	48.00	CON-659-6	INCLUDED
34603	5-4-17	SWT-648-3	150.00	CON-659-16	INCLUDED
34603	5-4-17	SWT-648-2	72.00	CON-659-2	INCLUDED
34603	5-4-17	SWT-648-1	-	NONE	INCLUDED
REVISION		PART NO.	"L"	CONN. ASS'Y	MTG. HARDWARE

SHEET 1 OF 2

LET	DATE	ALTERATION	C.N.
-	5-4-17	VNT-014-3 WAS VNT-013-1	34603
-	7-3-13	ADDED IP65 VENT TO ALARM SWITCH	31508
-	4-13-12	UPDATED SWITCH RATINGS REDRAWN IN INVENTOR	30164

QUALITROL

DIMENSIONS AND TOLERANCES IN
 ACCORDANCE WITH ASME Y14.5M-1994

PH. (585) 586-1515
 FAX (585) 377-0220

1385 FAIRPORT ROAD
 FAIRPORT, NY 14450

FORM 0-473 REV.D 10/22/02

TITLE: **ALARM SWITCH**

MODEL NO. **SWT-648**

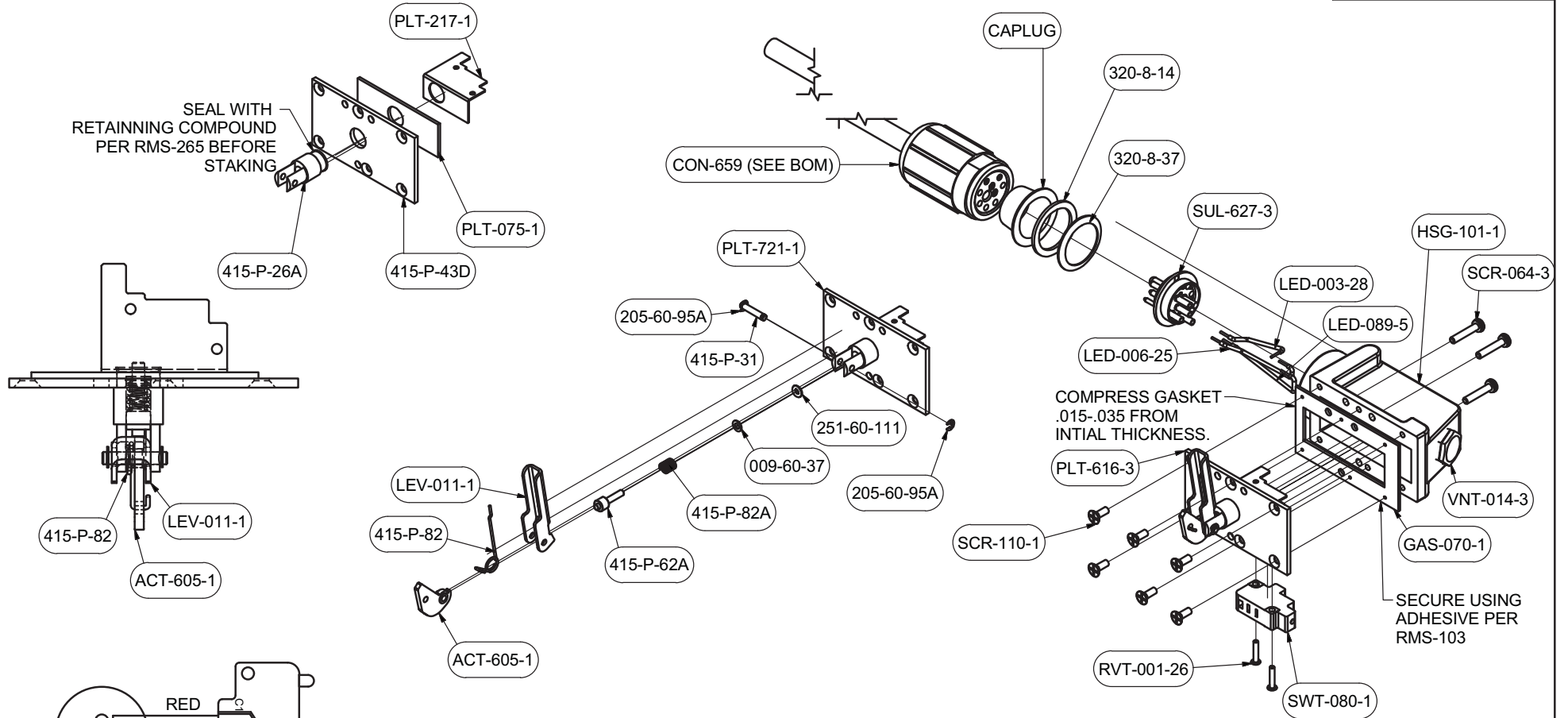
DO NOT SCALE PRINT

DIMENSIONS AND TOLERANCES IN ACCORDANCE WITH ASME Y14.5M-1994

WAS NO.

DRAWING NO.

SWT-648



DEV-WIR-3A01 SHOWN IN NON-ALARM STATE VIEWED FROM BACK OF INSULATOR

NOTICE

THIS DRAWING IS THE PROPERTY OF QUALITROL CORPORATION AND IS LOANED ONLY ON THE CONDITION THAT IT WILL BE USED TO FACILITATE THE PURPOSE FOR WHICH IT WAS INTENDED AND NOT BE REPRODUCED, COPIED OR OTHERWISE DISPOSED OF, AND IS NOT TO BE USED IN WHOLE OR PART FOR FURNISHING INFORMATION RELATIVE TO THE MAKING OF DRAWINGS, PARTS, APPARATUS OR PARTS THEREOF, EXCEPT BY WRITTEN ORDER FROM QUALITROL CORPORATION.

LET	DATE	ALTERATION	C.N.
		SEE SHT 1 OF 2	

TITLE:	ALARM SWITCH
MATERIAL:	
FINISH:	
SCALE:	
SHEET	2 OF 2
DRAWING NO.	SWT-648

TOLERANCE UNLESS NOTED:
 2 PLC.DECIMAL +/- .02
 3 PLC.DECIMAL +/- .005
 ANGULAR +/- 2 DEG.

QUALITROL
 FAIRPORT, NEW YORK

FORM 0-467 REV.C 7/1/97	DRAWN	bstaudmyer	DATE
	CHECK		
	APP'D		