

Analysis devices for inductive sensors | IKM 120 GA

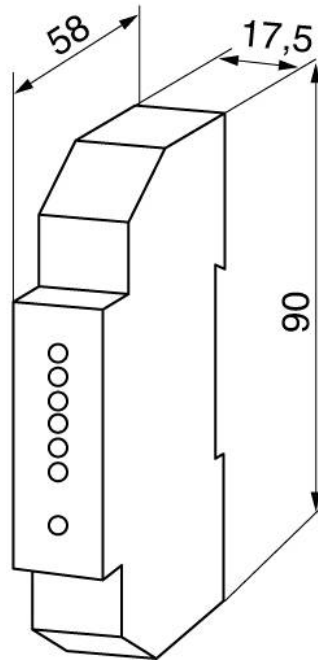
- Amplifier for inductive sensors
- Intuitive operation by means of potentiometer and LED display
- Analog output

24 V DC - 4...20 mA



TYPE	IKM 120 GA
Product ID	P31144
Output	analog output 4...20 mA
Supply voltage	24 VDC +/- 20 %
Current consumption max.	30 mA
Load resistance RL	50 ... 500 Ω
Short circuit proof	no
Linearity deviation	0.5 %
Ambient temperature	-20 ... 60 °C
Temperature deviation	2 %
Material housing	PC
Protection [EN 60529]	IP 40
Electrical connection	terminal screws

Technical Image



Pin Map

