

General Description

Unicoils are used on all DSL* Unisol 210 Bar (3000 PSI) and DSH* 345 Bar (5000 PSI) rated valves only. These coils are larger (height and width) than the coils used on DS* valves operating at 210 Bar (3000 PSI). The coils for DS*, 210 Bar (3000 PSI) valves are **non-interchangeable**. For specifications and ordering information for coils used on DS* valves rated to 210 Bar (3000 PSI), see basic specification coil data.

Features

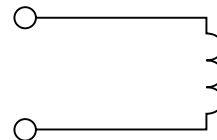
- One piece compact encapsulated design
- Minimal amperage draw
- Numerous terminals and voltages
- Coil designed for use with series 08 and 09, Unisol "DSL" 210 Bar (3000 PSI) and "DSH" 345 Bar (5000 PSI), type valves only
- Coils made with high quality Class H magnet wire
- Superior thick internal iron frame surrounding copper windings to increase coil's flux density
- More ampere turns to deliver more magnetic flux per input voltage
- A.C. coil operates @ 50/60 cycle (Hz)

Specifications

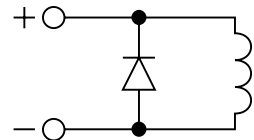
Wattage	14 Watts
Duty Rating	Continuous @ 100% voltage
Wire Class	Class H - 200°C (392°F)
Heat Rise	45°C (115°F) over ambient
A.C. Rectifier	Integral full wave bridge
Lead Wire	18 gauge 24" long, 600 volt rating
Lead Wire Strain Relief	34 kg (75 lbs.) @ 21°C (70°F) & 18 kg (40 lbs.) @ 93°C (200°F)
Encapsulating Material	Rynite, resistant to moisture, caustic solutions, fungus, and temperatures from -40°C (-40°F) to 200°C (392°F)
Finish	Coil - Black Frame - Yellow zinc dichromate



Symbols



Standard
(Without Diode)



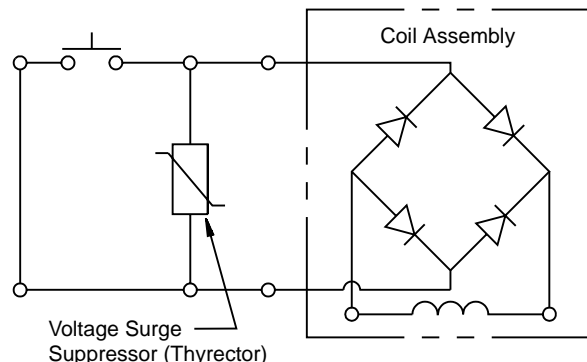
Optional
(With Diode Consult Factory)

NOTE:

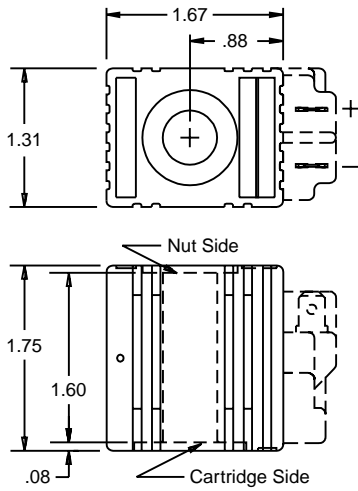
Parker A.C. Coils incorporate integrally molded full wave rectifiers which are rated for reverse voltage peaks of 1000 volts maximum. For voltage transients greater than 1000 volts P.I.V., Harris Thyrector V150LA10A or V150LA20A for 115 VAC and V250LA15A or V250LA40A for 200 VAC is recommended.

Coil Assembly

No inductive or capacitive loads can be installed between surge suppressor and rectified valves.

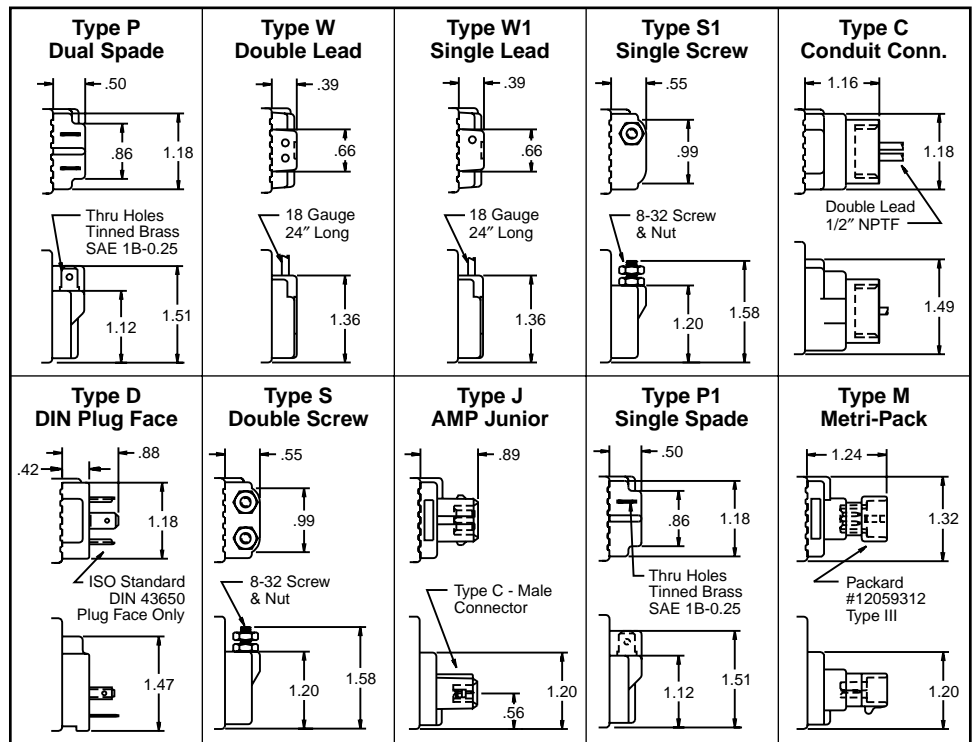


Terminal Styles and Dimensions



NOTES:

1. Coil to be installed with part number on nut side.
2. Lead wires are 18 gauge, 24" long. Available with different weather pack connectors.
3. For additional terminals, voltages & wattages, consult factory for details.



Coil Part Numbers

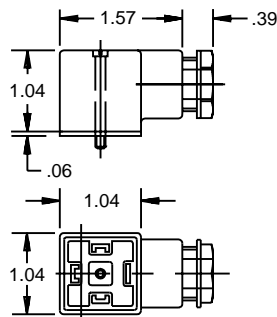
Voltage	Type P Double Spade	Type W Double Wire	Type C Conduit Conn.	Type D DIN Plug Face	Amps*	Ohms	Watts	Lead Wire Color
10 VDC	S8LPD010	S8LWD010	S8LCD010	S8LDD010	1.45	6.9	14.4	Yellow
12 VDC	S8LPD012	S8LWD012	S8LCD012	S8LDD012	1.17	10.2	14.1	Red
24 VDC	S8LPD024	S8LWD024	S8LCD024	S8LDD024	0.57	41.8	13.8	Blue
120 VAC	—	—	S8LCA120	S8LDA120	0.144	832	17.3	Brown
230 VAC	—	—	S8LCA240	S8LDA240	0.079	3032	19	White

*Amperage draw @ 21°C (70°F)

Coil Accessories For DIN Connector 43650

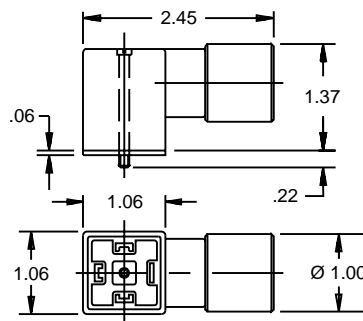
Cable Gland

Type	Non-Rectified	Rectified
PG9	710549-00	712126-01
PG11	710549-01	712126-00



Conduit

Rectified
712704-00



Conduit

Non-Rectified
710549-02

